



US 20060187771A1

(19) **United States**

(12) **Patent Application Publication**
Elbaum

(10) **Pub. No.: US 2006/0187771 A1**

(43) **Pub. Date: Aug. 24, 2006**

(54) **CD ROM STORAGE DEVICE**

(52) **U.S. Cl. 369/30.56; 369/30.86; 369/30.06**

(75) **Inventor: Hector Daniel Elbaum, Templestowe Vic (AU)**

(57) **ABSTRACT**

Correspondence Address:
BROMBERG & SUNSTEIN LLP
125 SUMMER STREET
BOSTON, MA 02110-1618 (US)

CD storage device is disclosed which includes a housing (12) in which a carousel (40) is supported for rotation in the housing. The carousel has a number of compartments (85) each for storing a CD. The device includes a controlling circuit board (46) which can couple with a computer so that CDs can be stored and retrieved by inputting information into the computer which causes the carousel to rotate to present the storage compartment having the required CD at an opening for discharge. The device (10) includes an ejector (96) for ejecting CDs from a storage compartment (85). The storage device (10) may include a reader (210) into which CDs can be loaded for reading and then restored in the device so that the CDs can be used without the user needing to remove a CD from the device and locate it in a reader in the user's computer. The reader enables CDs to move linearly through the reader so that CDs can be stored by inserting them through the reader and ejected completely from the device by again passing through the reader in the opposite direction.

(73) **Assignee: Mario Salvo, Boronia Vic (AU)**

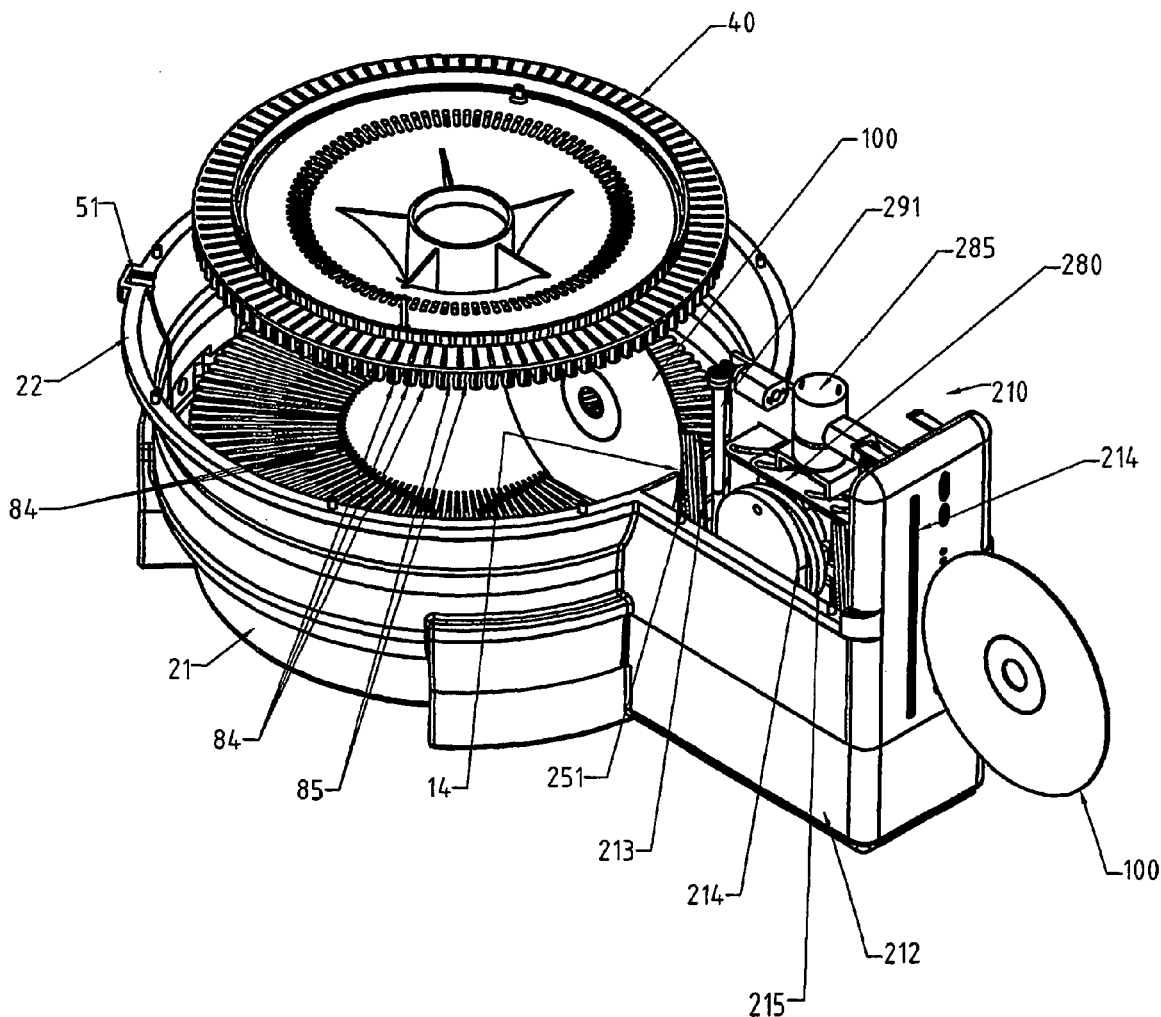
(21) **Appl. No.: 10/478,652**

(22) **PCT Filed: May 28, 2001**

(86) **PCT No.: PCT/AU01/00631**

Publication Classification

(51) **Int. Cl.**
G11B 21/08 (2006.01)
G11B 7/085 (2006.01)



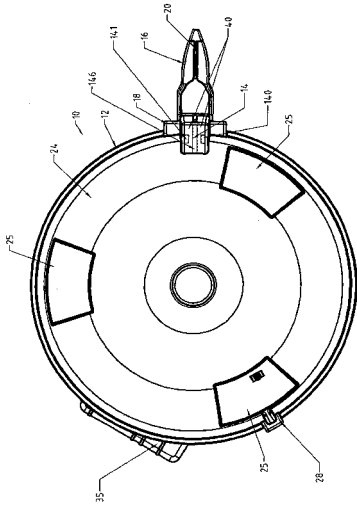


FIGURE 1

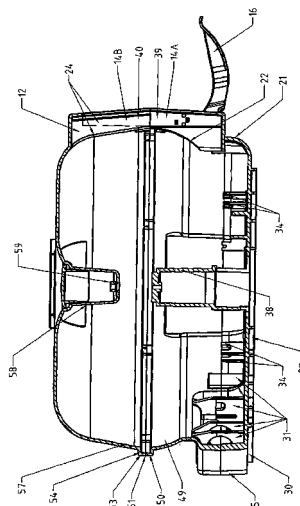


FIGURE 2

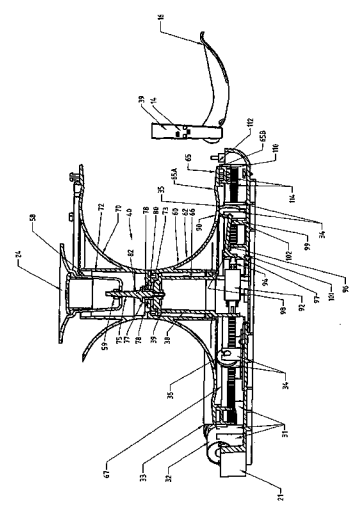


FIGURE 3

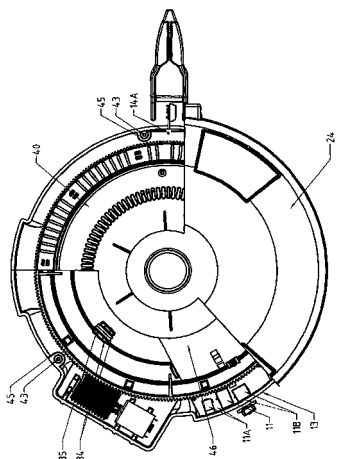


FIGURE 4

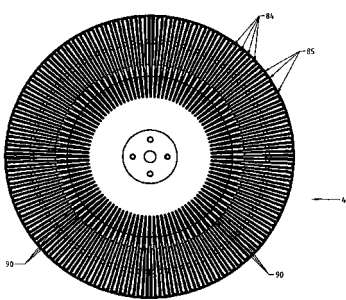


FIGURE 5

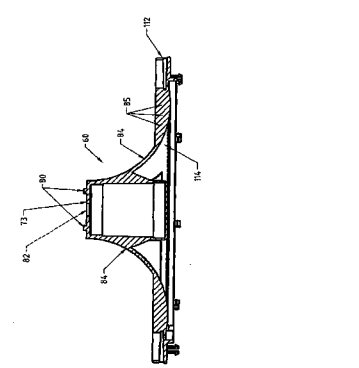


FIGURE 6

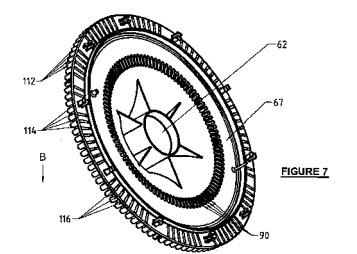


FIGURE 7

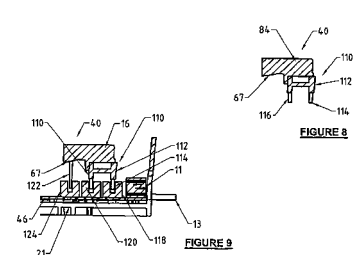
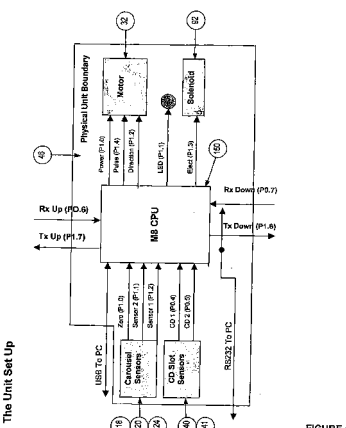


FIGURE 8



FIGURE 9



The Unit Set Up

FIGURE 10

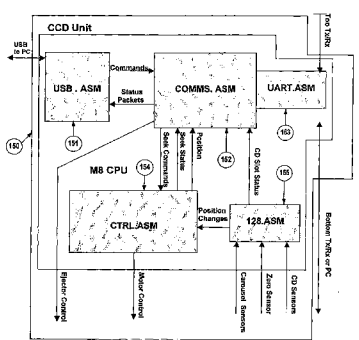


FIGURE 11

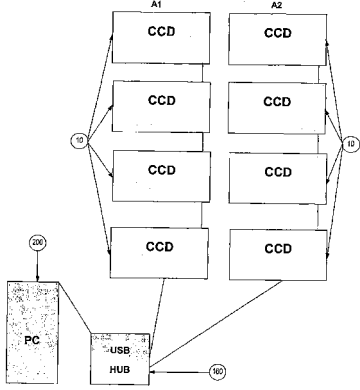


FIGURE 12

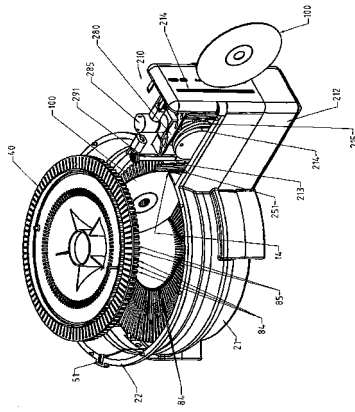


FIGURE 13

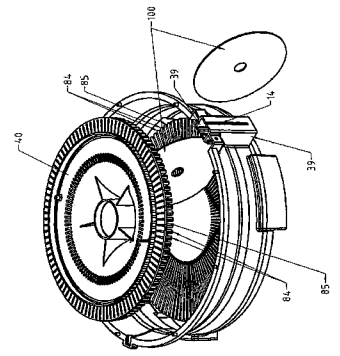


FIGURE 14

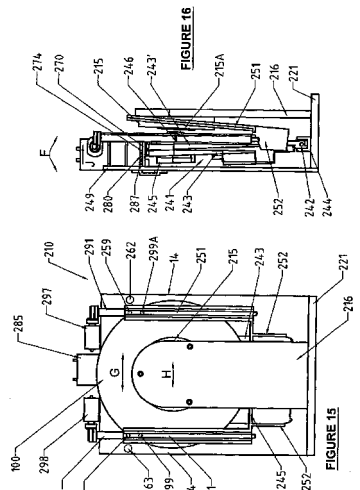


FIGURE 17

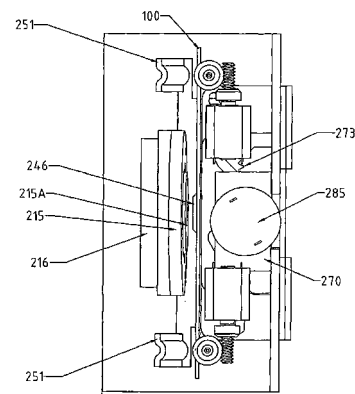


FIGURE 18

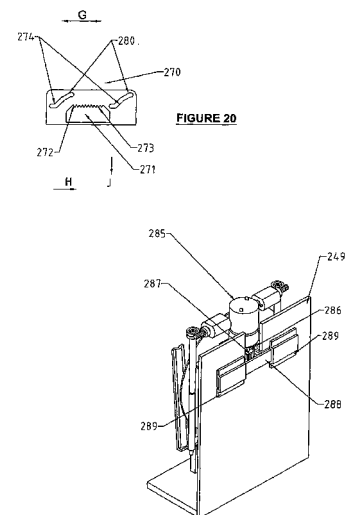
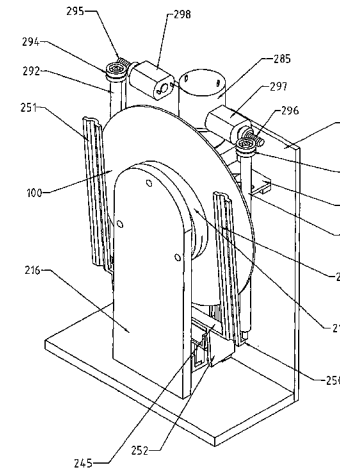


FIGURE 19

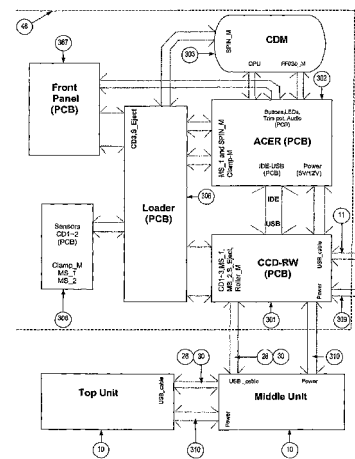


FIGURE 21

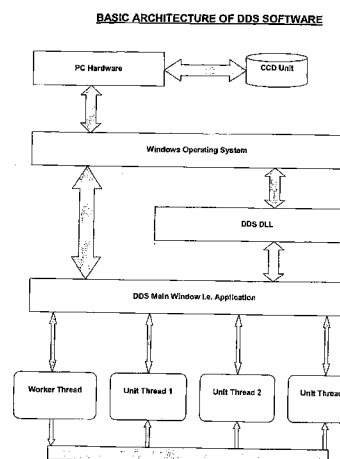


FIGURE 22

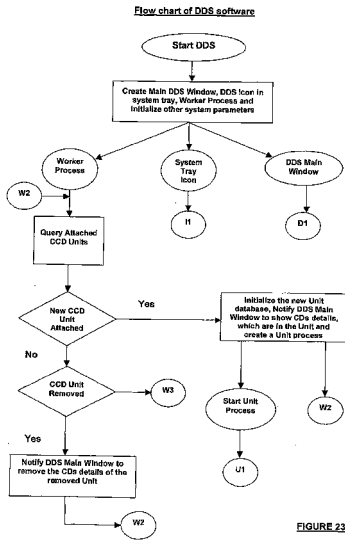


FIGURE 23

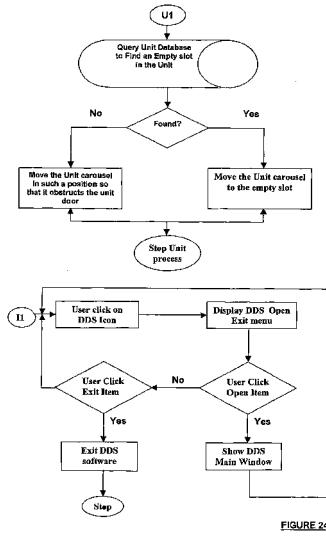


FIGURE 24

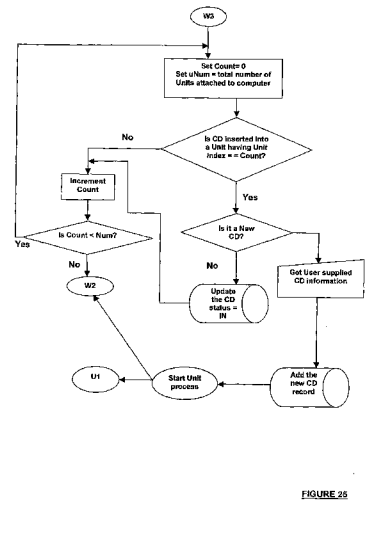


FIGURE 25

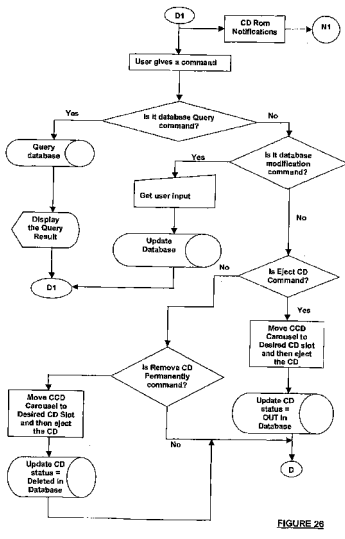


FIGURE 26

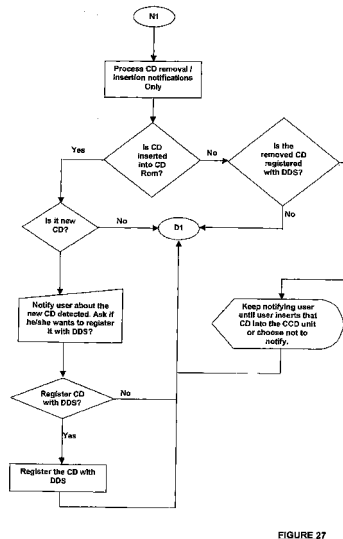


FIGURE 27

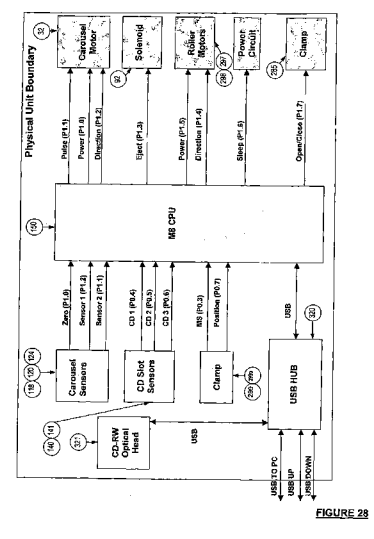


FIGURE 28

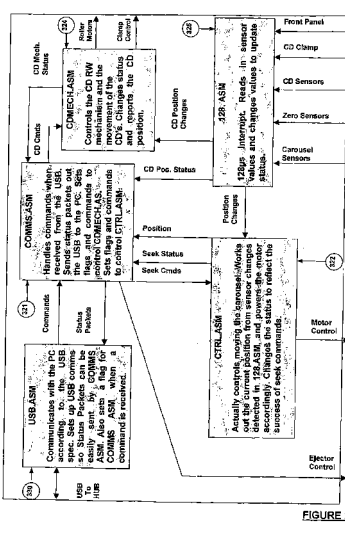


FIGURE 29