

PatentNumber: **EP2139409** ( 2010/01/06) Application Number **EP20080719889** ( 2008/03/28)

Title: Insufflation of body cavities

Assignee: STAMFORD DEVICES LTD [IE](STAMFORD DEVICES LIMITED)

Inventor: POWER JOHN SYLVESTER [IE]; SMITH NIALL SCOTT [IE];\*

Priority Number: WO2008IE00031;US20070907311P

Priority Date: 2008/03/28;2007/03/28

IPC: A61B17/34; A61M15/00; A61M16/16; B05B17/06; A61B17/34; \*

Abstract:

Apparatus used in insufflation comprises an insufflator 12 for generating an insufflation gas such as carbon dioxide and an aerosol generator 2 for aerosolising a fluid and entraining the aerosol with the insufflation gas. The aerosol generator 2 comprises a vibratable member 40 having a plurality of apertures extending between a first surface and a second surface. The fluid may comprise a therapeutic or prophylactic agent. A controller 3 is used to control the operation of the aerosol generator 2. The controller 3 controls operation of the aerosol generator 2 responsive to the flow of insufflation gas such as detected by a flow sensor 11.

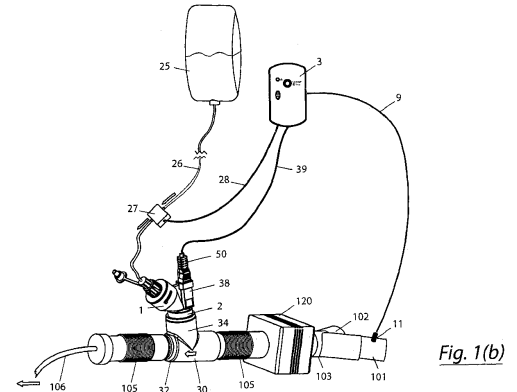


Fig. 1(b)

PatentNumber: **EP2139435** ( 2010/01/06) Application Number **EP20080744744** ( 2008/03/31)

Title: Using magnetism to prepare a medical device

Assignee: BOSTON SCIENT SCIMED INC [US](BOSTON SCIENTIFIC \*)

Inventor: ATANASOSKA LILIANA [US]; FLANAGAN AIDEN [IE]; O&#039;\*

Priority Number: WO2008US58848;US20070909200P;US20080057135

Priority Date: 2008/03/31;2007/03/30;2008/03/27

IPC: A61F2/82; A61L31/10; B05B5/00; B05C3/09; B05D1/00; \*

Abstract:

The present invention is directed to methods, processes, and systems for delivering therapeutic agent to a medical device. Under some methods, processes, and systems of the invention, particles including a magnetic material and a therapeutic agent may be directed towards a medical device via magnetic attraction. In another embodiment particles including a magnetic material may force a therapeutic agent/solvent solution into porous matrix by using a magnetic attraction. In still another embodiment, a medical device having at least a portion thereof including a magnetic material is used to attract and adhere particles comprising magnetic material and therapeutic agent to a target surface of the medical device, wherein the particles are fused to the target surface.

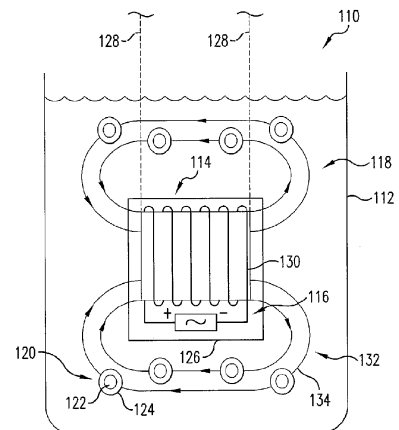


FIG. 6

PatentNumber: **EP2139547** ( 2010/01/06) Application Number **EP20080742996** ( 2008/04/17)

Title: Two-way nozzle cap

Assignee: JOHNSON & SON INC S C [US](S.C. JOHNSON & \*)

Inventor: SHI FENG [CN](SHI, FENG)

Priority Number: WO2008US04953;CN20072142828U

Priority Date: 2008/04/17;2007/04/23

IPC: A61M11/00; B05B11/04; A61M11/00; B05B11/04

Abstract:

The present utility model provides a two-way nozzle cap (10) for a container, comprising of a cap body (11) and a dip tube (12), wherein the cap body (11) includes: an engagement portion (21) engaged with the opening of the container; a hollow orifice portion (22) provided in the top of the cap body (11), comprising an orifice formed on the upper part of the orifice portion, at least two protrusions (32) provided on the inner wall of the orifice portion to clamp the upper end of the dip tube (12), a mixing chamber (33) formed between the orifice and the top of the dip tube (12), and channels defined between the protrusions (32) and the dip tube (12), and fluid communicating the mixing chamber (33) to the interior of the container.

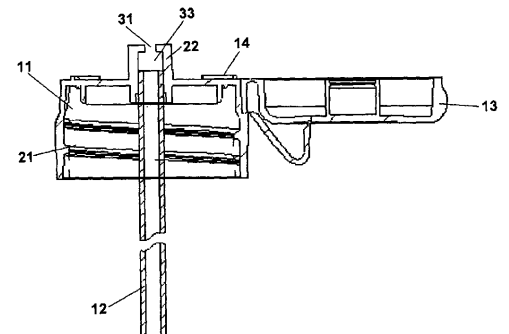


FIG. 1